

SUMO

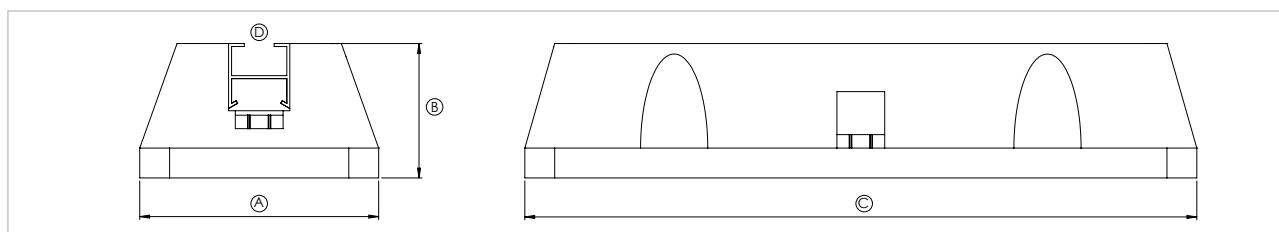
Vibration-proof ground support with 41 mm channel

APPLICATION

Ground supports for fixing systems for pipes and condensing units belonging to large system, either on ground or roof.

FEATURES AND BENEFITS

- > It is made by the **recycling of discarded car tires**. The transformation process - applied to prepare the rubber for reuse - consists of 3 main steps:
 1. Metal removal;
 2. Tyre destruction to obtain rubber shavings;
 3. Further grinding to get gum powder.
 Thanks to this transformation we are able to **recover up to 70% of the rubber** the tyres are made of. Moreover, once the ground support is at the end of life, its rubber can be recycled again.
- > **Vibration-proof support** that is made of a blend of **SBR vulcanized rubber**, UV stabilized.
- > Complete with a **41x23,5mm, aluminium channel** - plunged into the rubber structure - which is essential to set and fasten the machine.
- > Its support surface is **wide and free from ribs** in order to make the item **sound-proof and skid-proof**.
- > Its solid structure - together with the weight of the installed machine - **prevents seepages and water stagnation**.
- > **Complete with fixing kit and level** to install the outdoor air-conditioning unit properly.
- > It is suitable for supporting: fixing systems for pipes, electrical conduits, outdoor units for air-conditioners, VRV and VRF heat pumps, floor-standing boilers.
- > Working temperature: **-40°C / +80°C**



COD	TYPE	A	B	C	D
550361	SUMO 250	160	90	250	41x23,5
550362	SUMO 450	160	90	450	41x23,5
550363	SUMO 600	160	90	600	41x23,5
550364	SUMO 1000	160	90	1000	41x23,5
550365	SUMO 1200	160	90	1200	41x23,5

COMPONENTS FOR AIR-CONDITIONING GROUND SUPPORTS

Composed of:

- Moulded base support made of recycled rubber
- 41x23,5 mm Aluminium channel
- Fixing kit: 2 M10 hammer head bolts, 2 M10 washers, 2 M10 nuts
- Level

MATERIALS TECHNICAL DATA

SUPPORT

SBR vulcanized rubber, made by recycling discarded car tires

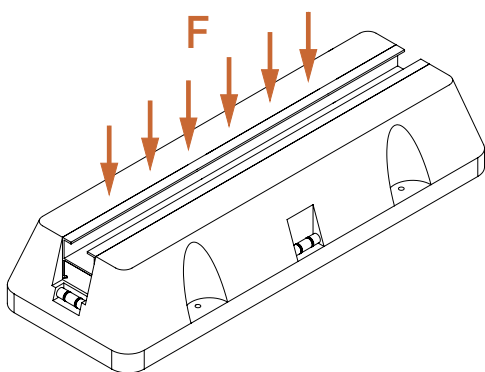
CHANNEL

Aluminium AW 6060 - EN 573.3 (chemical composition) - EN 755.2 (mechanical properties)

FIXING KIT

Steel 4.8 DIN 933-8.8 with electro zinc-plating 7-8 μm EN ISO 12329

RECOMMENDED LOADS



TYPE	F
SUMO 250	160
SUMO 450	260
SUMO 600	470
SUMO 1000	630
SUMO 1200	630

F = load evenly distributed (in Kg)

PACKAGING

In cardboard box

DATE 08-2023 REV. 00

The current technical data sheet substitutes and cancels the previous ones. The details provided fit our current knowledge of the product. It cannot lead us to any sort of responsibility or compensation.

Gia S.p.A. reserves the right of changing technical features and molds without notice.

This company is subject to "Ethica Global Investments S.p.A." management.

Gia S.p.A. – Via Sac. A. Cremona, 12 – 28069 Trecate (NO) – www.gia.it