

SIFR

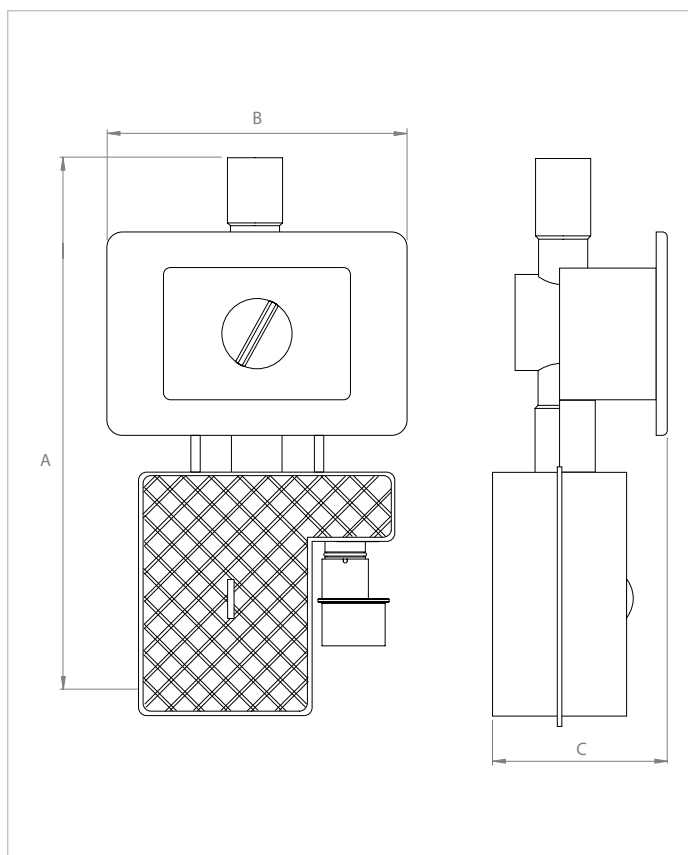
Embedded siphon with valve

APPLICATION

Odour-free siphon provided with valve for opening/closing condensation drain.

FEATURES AND BENEFITS

- > It is provided with a **valve for opening/closing** condensation water flow so that it prevents odour - that might come from drain pipes - from spreading within the house.
- > It is to be installed on masonry, **vertically and in-wall**.
- > It is provided with **protective cover** so that the siphon is safe from plaster.
- > Set-up with a **white covering plate**.
- > The opening/closing valve is provided with the **proper key**.
- > Complete with **fixing screws**.
- > Suitable for **Flex plumbing condensation product range**.
- > Working temperatures: **-10°C/+70°C**



COD	TYPE	For pipes Ø	A	B	C
540901	SIFR	20 mm	61	162	52

COMPONENTS FOR AIR-CONDITIONING SIPHONS AND ACCESSORIES

MATERIALS TECHNICAL DATA

MATERIAL

PP Polypropylene

PACKAGING

In cardboard box

RELATED ITEMS

> Flex plumbing condensation drain system

DATE 08-2023 REV. 00

The current technical data sheet substitutes and cancels the previous ones. The details provided fit our current knowledge of the product. It cannot lead us to any sort of responsibility or compensation.

Gia S.p.A. reserves the right of changing technical features and molds without notice.

This company is subject to "Ethica Global Investments S.p.A." management.

Gia S.p.A. – Via Sac. A. Cremona, 12 – 28069 Trecate (NO) – www.gia.it