

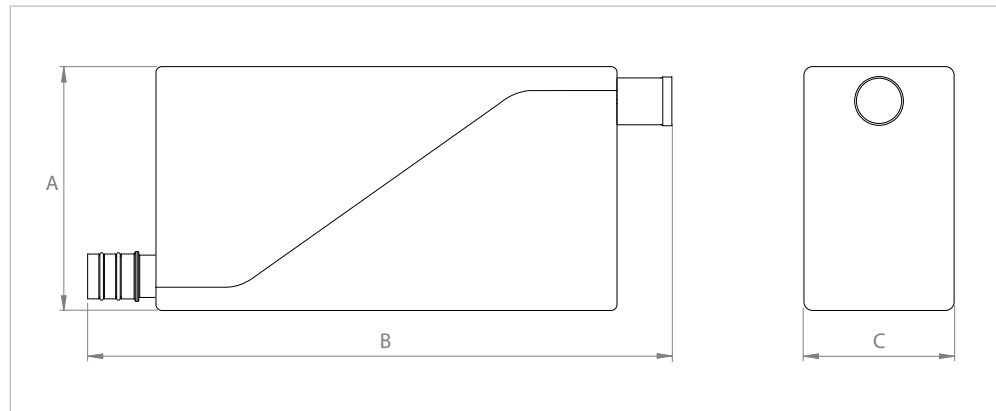
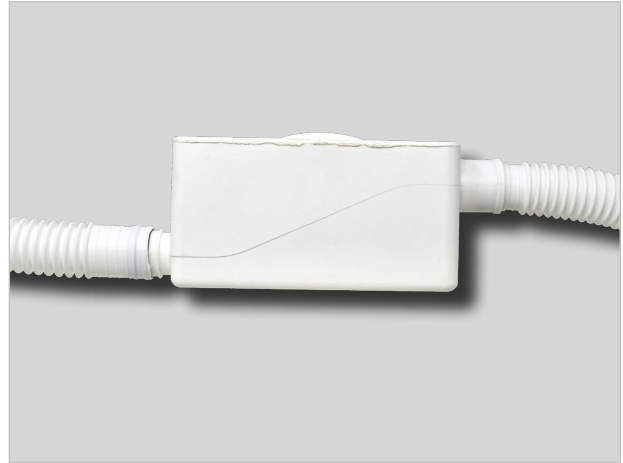
SIF1 Embedded siphon for pre-installation boxes

APPLICATION

Compact siphon for condensation drain.

FEATURES AND BENEFITS

- > Thanks to its **small dimensions** it can be installed **quickly and easily** at the side of pre-installation embedded boxes.
- > Suitable for **Flex plumbing condensation drain product range**.
- > Working temperatures: **-10°C/+70°C**



COD	TYPE	For pipes Ø	A	B	C
540911	SIF1	20 mm	200	90	70

COMPONENTS FOR AIR-CONDITIONING SIPHONS AND ACCESSORIES

MATERIALS TECHNICAL DATA

MATERIAL

PP Polypropylene

PACKAGING

In cardboard box

RELATED ITEMS

> Flex plumbing condensation drain system

DATE 08-2023 REV. 00

The current technical data sheet substitutes and cancels the previous ones. The details provided fit our current knowledge of the product. It cannot lead us to any sort of responsibility or compensation.

Gia S.p.A. reserves the right of changing technical features and molds without notice.

This company is subject to "Ethica Global Investments S.p.A." management.

Gia S.p.A. – Via Sac. A. Cremona, 12 – 28069 Trecate (NO) – www.gia.it