

RMF

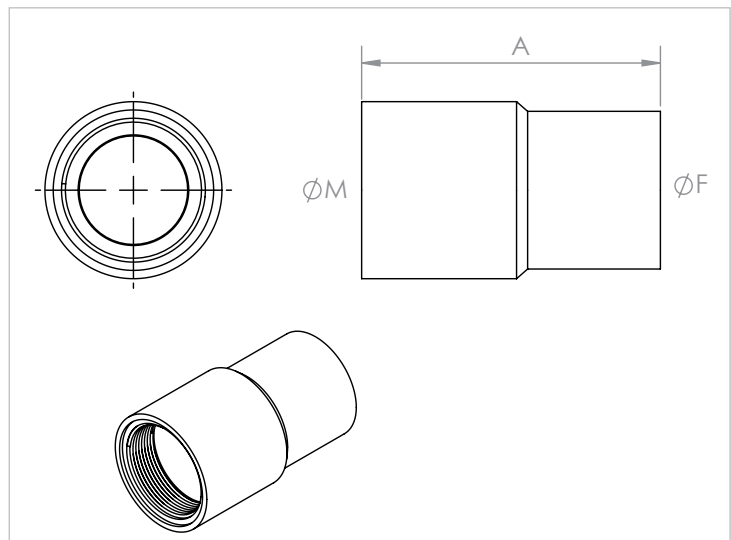
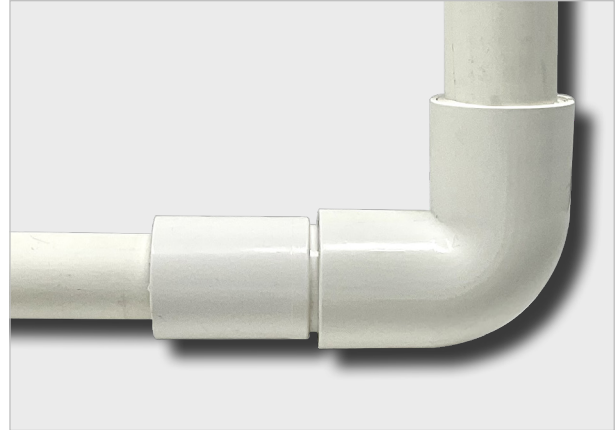
Male-female reduction piece for rigid drain pipes

APPLICATION

MF reduction piece that is used to connect rigid drain pipes.

FEATURES AND BENEFITS

- > **Male-female reduction piece** that is used to connect pipes with different diameters.
- > Made of **white PVC**, that is **shock-proof, fire-retardant and UV stabilized**.
- > At one of the extremities it is provided with a **soft and knurled inner gasket**, which guarantees perfect sealing.
- > Working temperatures: **-30°C / +75°C**



COD	TYPE	ØM	ØF	A
540231	RMF 1	25	20	63
540232	RMF 2	32	20-25	54

COMPONENTS FOR AIR-CONDITIONING

RIGID DRAIN PIPE AND ACCESSORIES

MATERIALS TECHNICAL DATA

MATERIAL

PVC - White RAL 9010

GASKET

NBR Rubber

PACKAGING

In cardboard box

RELATED ITEMS

> TR - Rigid PVC drain pipe

DATE 08-2023 REV. 00

The current technical data sheet substitutes and cancels the previous ones. The details provided fit our current knowledge of the product. It cannot lead us to any sort of responsibility or compensation.

Gia S.p.A. reserves the right of changing technical features and molds without notice.

This company is subject to "Ethica Global Investments S.p.A." management.

Gia S.p.A. – Via Sac. A. Cremona, 12 – 28069 Trecate (NO) – www.gia.it