

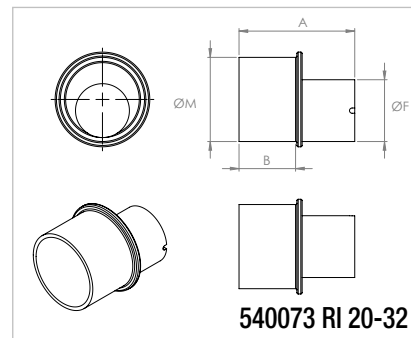
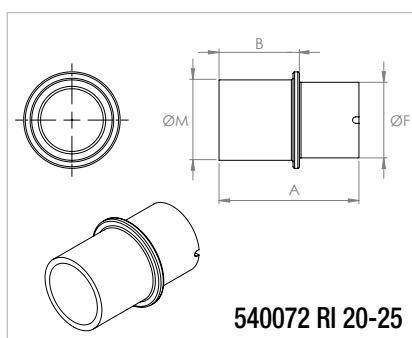
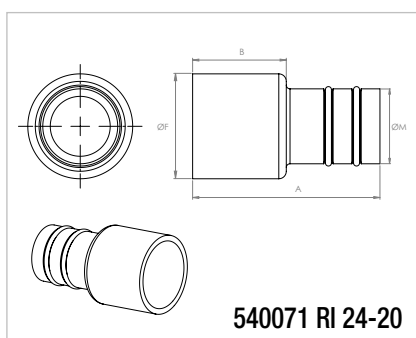
RI Female-Male reduction piece

APPLICATION

Reduction piece for flexible corrugated drain hose.

FEATURES AND BENEFITS

- > **F-M reduction piece** used to connect either two corrugated drain hoses, or a corrugated drain hose (female joint) to a rigid hose (male joint).
- > It is provided complete with **2 O-Ring washers**.
- > Working temperatures: **-30°C / +75°C**



COD	Type	Ø F Female joint	Ø M Male joint	A	B
540071	RI 24-20	24	20	50	25
540072	RI 20-25	20	25	44	25
540073	RI 20-32	20	32	44	24

COMPONENTS FOR AIR-CONDITIONING CORRUGATED DRAIN HOSE AND ACCESSORIES

MATERIALS TECHNICAL DATA

REDUCTION PIECE

PP Polypropylene EP 440 G

PACKAGING

In cardboard box

RELATED ITEMS

- > Flexible corrugated drain hose
- > Rigid hose

DATE 07-2023 REV. 00

The current technical data sheet substitutes and cancels the previous ones. The details provided fit our current knowledge of the product. It cannot lead us to any sort of responsibility or compensation.

Gia S.p.A. reserves the right of changing technical features and molds without notice.

This company is subject to "Ethica Global Investments S.p.A." management.

Gia S.p.A. – Via Sac. A. Cremona, 12 – 28069 Trecate (NO) – www.gia.it