

R3VL

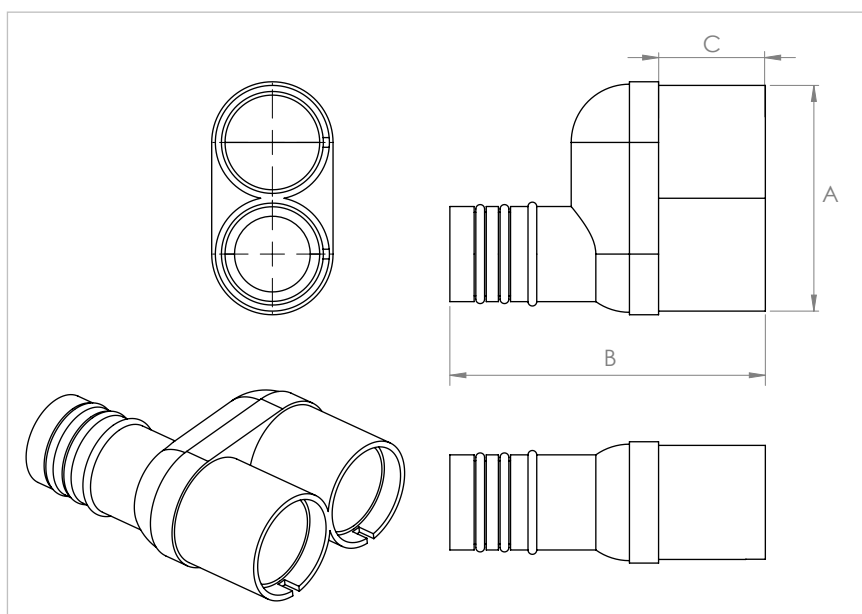
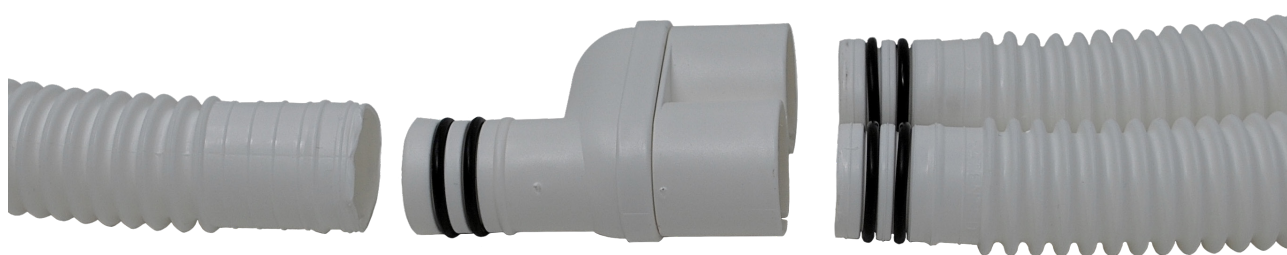
3-way side connector for corrugated drain hose

APPLICATION

Connection piece for flexible corrugated drain hose.

FEATURES AND BENEFITS

- > 3-way side connection piece with **2 female joints** and **1 male joints**.
- > It is provided complete with **2 O-Ring washers**.
- > Working temperatures: **-30°C / +75°C**



COD	Type	Ø F Female joint	Ø M Male joint	A	B	C
540064	R3VL 20	20	20	46,5	65	22

COMPONENTS FOR AIR-CONDITIONING CORRUGATED DRAIN HOSE AND ACCESSORIES

MATERIALS TECHNICAL DATA

CONNECTOR

PP Polypropylene EP 440 G

PACKAGING

In cardboard box

RELATED ITEMS

> Flexible corrugated drain hose

DATE 07-2023 REV. 00

The current technical data sheet substitutes and cancels the previous ones. The details provided fit our current knowledge of the product. It cannot lead us to any sort of responsibility or compensation.

Gia S.p.A. reserves the right of changing technical features and molds without notice.

This company is subject to "Ethica Global Investments S.p.A." management.

Gia S.p.A. – Via Sac. A. Cremona, 12 – 28069 Trecate (NO) – www.gia.it