

COMPONENTS FOR AIR-CONDITIONING

SPIRAL DRAIN HOSE AND ACCESSORIES

R3V

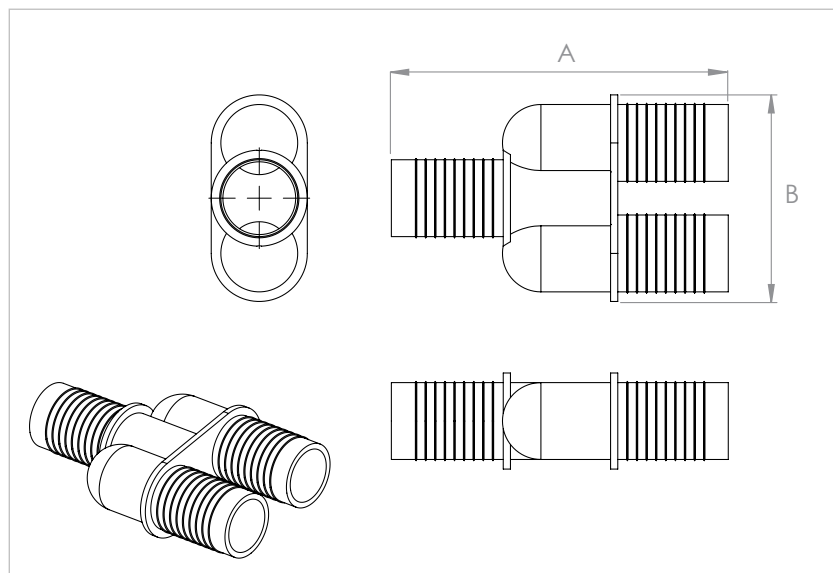
3-way connector for spiral drain hose

APPLICATION

Connection piece for flexible spiral drain hose.

FEATURES AND BENEFITS

- > Made of **shock-proof polypropylene** with a moulding process.
- > Working temperatures: **-30°C / +75°C**



COD	TYPE	Ø	A	B
540111	R3V C16	16	70	42
540112	R3V C20	20	70	50

COMPONENTS FOR AIR-CONDITIONING

SPIRAL DRAIN HOSE AND ACCESSORIES

MATERIALS TECHNICAL DATA

MATERIAL

PP Polypropylene EP 440 G

PACKAGING

In cardboard box

RELATED ITEMS

> T-FLEX - PVC flexible and smooth spiral drain hose

DATE 08-2023 REV. 00

The current technical data sheet substitutes and cancels the previous ones. The details provided fit our current knowledge of the product. It cannot lead us to any sort of responsibility or compensation.

Gia S.p.A. reserves the right of changing technical features and molds without notice.

This company is subject to "Ethica Global Investments S.p.A." management.

Gia S.p.A. – Via Sac. A. Cremona, 12 – 28069 Trecate (NO) – www.gia.it