

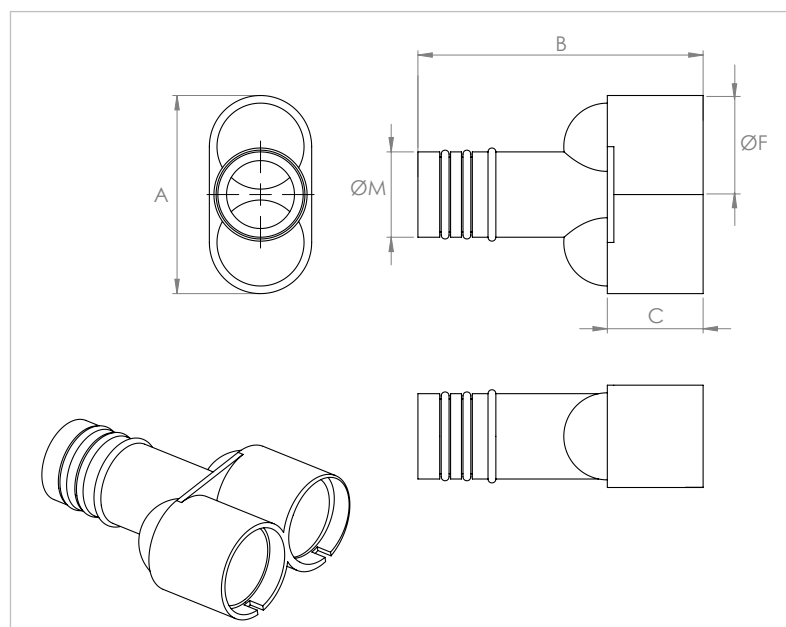
## R3V 3-way central connector for corrugated drain hose

### APPLICATION

Connection piece for flexible corrugated drain hose.

### FEATURES AND BENEFITS

- > 3-way central connection piece with **2 female joints and 1 male joints.**
- > It is provided complete with **2 O-Ring washers.**
- > Working temperatures: **-30°C / +75°C**



COD	Type	Ø F Female joint	Ø M Male joint	A	B	C
540061	R3V 18	18	18	41	61	20
540062	R3V 20	20	20	47	65	22
540063	R3V 24	24	20	54	65	22

# COMPONENTS FOR AIR-CONDITIONING CORRUGATED DRAIN HOSE AND ACCESSORIES

## MATERIALS TECHNICAL DATA

### CONNECTOR

PP Polypropylene EP 440 G

## PACKAGING

In cardboard box

## RELATED ITEMS

> Flexible corrugated drain hose

### DATE 07-2023 REV. 00

The current technical data sheet substitutes and cancels the previous ones. The details provided fit our current knowledge of the product. It cannot lead us to any sort of responsibility or compensation.

Gia S.p.A. reserves the right of changing technical features and molds without notice.

This company is subject to "Ethica Global Investments S.p.A." management.

Gia S.p.A. – Via Sac. A. Cremona, 12 – 28069 Trecate (NO) – [www.gia.it](http://www.gia.it)