

MFF

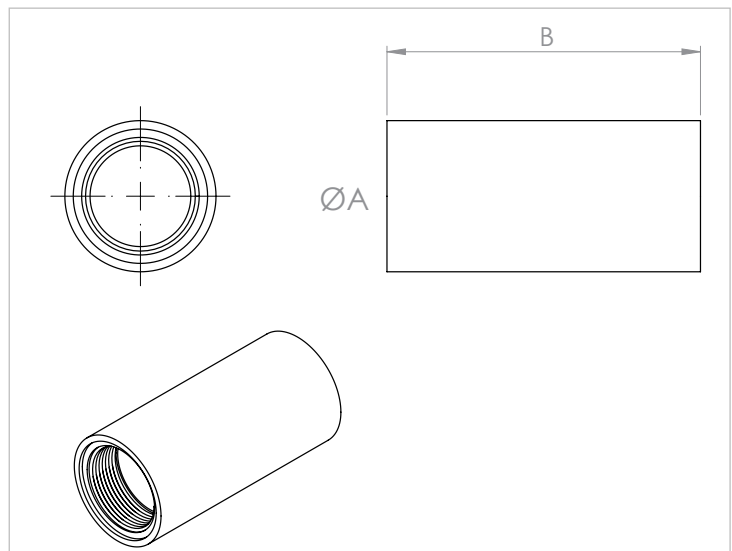
Connection sleeve for rigid pipe

APPLICATION

Sleeve with double female joint for the connection of rigid pipes.

FEATURES AND BENEFITS

- > Made of **white PVC**, that is **shock-proof, fire-retardant and UV stabilized**.
- > At the extremities it is provided with **2 soft and knurled inner gaskets**, which guarantee perfect sealing.
- > Working temperatures: **-30°C / +75°C**



COD	TYPE	ØA	B
540218	MFF 20	20	52
540219	MFF 25	25	56

COMPONENTS FOR AIR-CONDITIONING

RIGID DRAIN PIPE AND ACCESSORIES

MATERIALS TECHNICAL DATA

MATERIAL

PVC - White RAL 9010

GASKET

NBR Rubber

PACKAGING

In cardboard box

RELATED ITEMS

> TR - Rigid PVC drain pipe

DATE 08-2023 REV. 00

The current technical data sheet substitutes and cancels the previous ones. The details provided fit our current knowledge of the product. It cannot lead us to any sort of responsibility or compensation.

Gia S.p.A. reserves the right of changing technical features and molds without notice.

This company is subject to "Ethica Global Investments S.p.A." management.

Gia S.p.A. – Via Sac. A. Cremona, 12 – 28069 Trecate (NO) – www.gia.it