

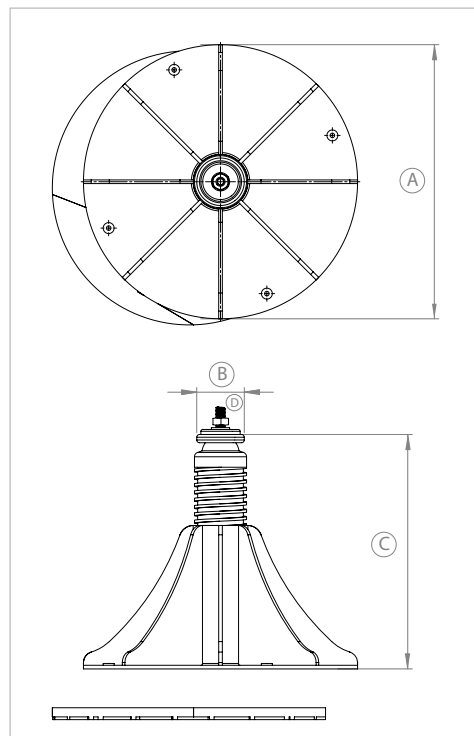
## BIG KONG Ø300 mm Adjustable ground support with screw

### APPLICATION

Ground supports for air-conditioning outdoor units, heat pump, and small refrigerating systems.

### FEATURES AND BENEFITS

- > Vibration-proof ground support made of **polypropylene reinforced with fibreglass**.
- > **Highly resistant** to bad weather conditions, and **UV stabilized**.
- > **Adjustable height from 180 mm up to 260mm**, thanks to a specific ferrule.
- > Complete with **M10 nut and bolt** for the unit's fastening, VRF-VRV heat pump or small refrigerating systems.
- > It is provided with an **upper junction**, which makes it able to fit the slope of the ground.
- > It is also equipped with: one **NBR rubber seal** that is set at the top - on the upper junction - to absorb vibrations; and one **NBR rubber mat - skid-proof and vibration-proof** - at the bottom.
- > It is available in two different colours: **black and ivory**.
- > Working temperature: **-30°C / +75°C**



COD	TYPE	Colour	A	B	C	D
550131	BIG KONG W	Ivory	Ø300	Ø50	180-260	M10
550132	BIG KONG B	Black	Ø300	Ø50	180-260	M10

# COMPONENTS FOR AIR-CONDITIONING GROUND SUPPORTS

Composed of:

- Polypropylene support
- Fixing kit: M10 bolt, M10 washer, M10 hammer-head nut
- 1 O-ring seal + 1 rubber mat

## MATERIALS TECHNICAL DATA

### SUPPORT

PP Polypropylene reinforced with fibreglass - Ivory or black

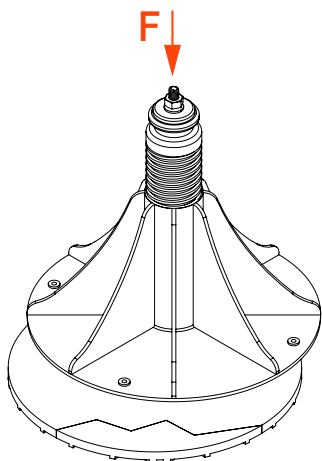
### FIXING

Steel 4.8 DIN 933-8.8 with electro zinc-plating 7-8  $\mu\text{m}$  EN ISO 12329

### SEALS

NBR rubber

## RECOMMENDED LOADS



TYPE	F
BIG KONG W	250
BIG KONG B	250

F = concentrated load (in Kg)

## PACKAGING

In cardboard box

## DATE 08-2023 REV. 00

The current technical data sheet substitutes and cancels the previous ones. The details provided fit our current knowledge of the product. It cannot lead us to any sort of responsibility or compensation.

Gia S.p.A. reserves the right of changing technical features and molds without notice.

This company is subject to "Ethica Global Investments S.p.A." management.

Gia S.p.A. – Via Sac. A. Cremona, 12 – 28069 Trecate (NO) – [www.gia.it](http://www.gia.it)