

COMPONENTS FOR AIR-CONDITIONING

SUPPORT BRACKETS FOR AIR CONDITIONING UNITS

ATENA

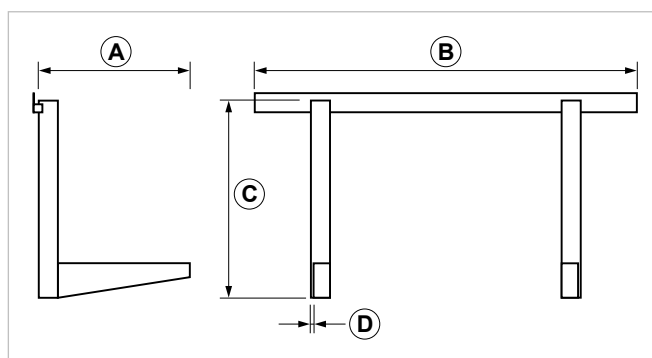
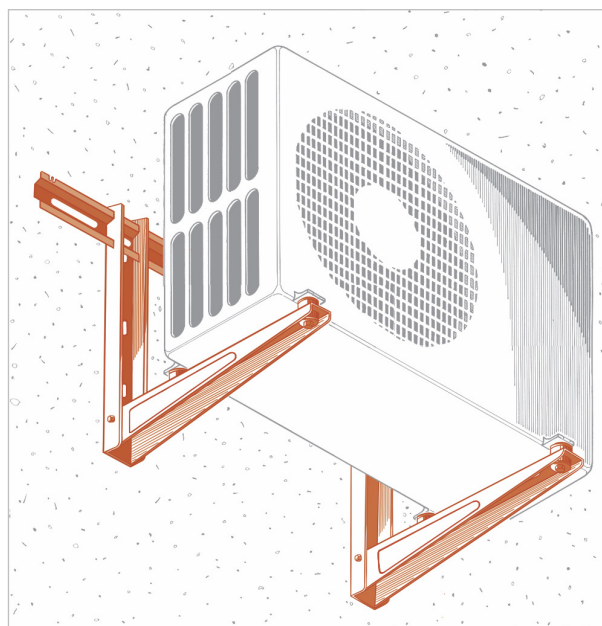
Adjustable support bracket for air-conditioning units

APPLICATION

It is used to fasten air-conditioning units to the wall.

FEATURES AND BENEFITS

- > Complete with **level and fixing kit**.
- > **Painted** with epoxy powders - **RAL 9002**.
- > Provided with **adjustable rear supports**, which are made of nylon and NBR fiber.
- > It guarantees the support of high payloads thanks to its **strong metal sheet, folded and with rib**.
- > **The wide holes** ensure a handy installation.



COD	TYPE	Description	A	B	C	D
161331	ATENA 420	Zinc-plated and painted - RAL 9002	420	800	400	12/10
161333	ATENA 450	Zinc-plated and painted - RAL 9002	450	800	400	15/10
161337	ATENA 480	Zinc-plated and painted - RAL 9002	480	800	400	15/10
161342	ATENA 540	Zinc-plated and painted - RAL 9002	540	800	400	20/10
161344	ATENA 600	Zinc-plated and painted - RAL 9002	600	800	400	20/10

COMPONENTS FOR AIR-CONDITIONING

SUPPORT BRACKETS FOR AIR CONDITIONING UNITS

MATERIALS TECHNICAL DATA

ATENA

Steel DX 51 D EN 10142 with sendzimir zinc-plating and varnish finishing with polyester powder, which makes the bracket suitable for outdoor use - RAL 9002

SCREWS

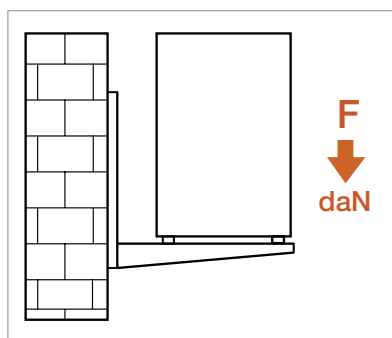
M8 Steel 8.8 - EN ISO 898 - 1:2013

PLUGS

Nylon - Hole: \varnothing 10mm

The packaging includes nr. 4 plugs complete with screws.

RECOMMENDED LOADS



TYPE	F
ATENA 420	70+70
ATENA 450	80+80
ATENA 480	70+70
ATENA 540	90+90
ATENA 600	80+80

Please notice that loads data refer to the installation of a pair of brackets. Recommended load is the average resistance loads with a safety coefficient. 1 daN=1kg.

PACKAGING

In cardboard box - 1 piece

RELATED ITEMS

> ANTI - Anti-vibration supports

DATE 08-2023 REV. 00

The current technical data sheet substitutes and cancels the previous ones. The details provided fit our current knowledge of the product. It cannot lead us to any sort of responsibility or compensation.

Gia S.p.A. reserves the right of changing technical features and molds without notice.

This company is subject to "Ethica Global Investments S.p.A." management.

Gia S.p.A. – Via Sac. A. Cremona, 12 – 28069 Trecate (NO) – www.gia.it