

# COMPONENTS FOR AIR-CONDITIONING

## SUPPORT BRACKETS FOR AIR CONDITIONING UNITS

### SCL 450-800

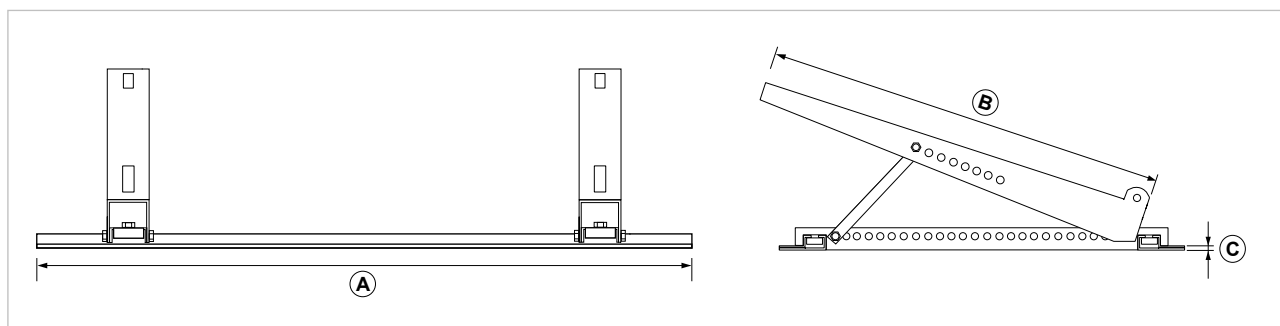
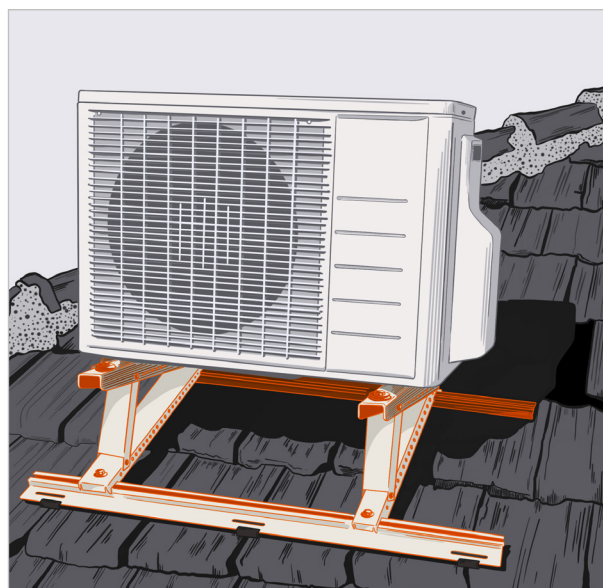
#### Roof support bracket for air-conditioning units

#### APPLICATION

It is used to fasten heavy-duty air-conditioning units on the roof.

#### FEATURES AND BENEFITS

- > Adjustable roof support bracket which is provided **zinc-plated and painted** with epoxy powders - RAL 9002. It is suitable for supporting heavy-duty units.
- > It can be installed **on the roof straight away**.
- > Adjustable **from 10° up to 40°**, according the roof's slope.
- > It is provided complete **with fixing accessories**: fastening kit, dampers, assembly instructions.



COD	TYPE	Description	A	B	C
161281	SCL 450-800	Zinc-plated and painted - RAL 9002	800	450	15/10

# COMPONENTS FOR AIR-CONDITIONING

## SUPPORT BRACKETS FOR AIR CONDITIONING UNITS

### MATERIALS TECHNICAL DATA

#### METAL SHEET

Steel DX 51 D EN 10142 with sendzimir zinc-plating and varnish finishing with polyester powder, which makes the bracket suitable for outdoor use - RAL 9002

#### ACCESSORIES

##### SET 1 (x6)

- N. 1 TE screw M8x70 - ZP. 8.8 DIN 931 UNI 5737
- N. 1 Flat washer 8.4x20x1.2 - UNI 6592 Z.B.
- N. 1 Nut M8 - DIN 985
- N. 1 Locking washer M8

##### SET 2 (x4)

- N. 1 TE screw M8x25 - 8.8 UNI 5739 Z.B.
- N. 1 Cylindrical spacer Ø12 x L12 mm
- N. 1 Flat washer 8.4x16x0.85 - UNI 6592 Z.B.
- N. 1 Locking washer M8
- N. 1 U-shaped plate - galvanized and threaded - M8 50x22x2

##### SET 3 (x4)

- N. 1 TE screw M8x25 - 8.8 UNI 5739 Z.B.
- N. 1 Self-locking nut M8 - DIN 985
- N. 2 Flat washers 8.4x16x0.85 - UNI 6592 Z.B.
- N. 1 Black pierced PVC damper

#### RECOMMENDED LOADS

SLOPE	LOAD
15°	40+40
20°	50+50
25°	60+60
30°	75+75

Loads are related to the bracket's slope, with the payload distributed on the two crossbeams.

Recommended load is the average resistance loads with a safety coefficient.

Loads expressed in KG.

#### PACKAGING

In cardboard box - 1 piece

#### DATE 08-2023 REV. 00

The current technical data sheet substitutes and cancels the previous ones. The details provided fit our current knowledge of the product. It cannot lead us to any sort of responsibility or compensation.

Gia S.p.A. reserves the right of changing technical features and molds without notice.

This company is subject to "Ethica Global Investments S.p.A." management.

Gia S.p.A. – Via Sac. A. Cremona, 12 – 28069 Trecate (NO) – [www.gia.it](http://www.gia.it)