

COMPONENTS FOR AIR-CONDITIONING

SUPPORT BRACKETS FOR AIR CONDITIONING UNITS

SCL 560

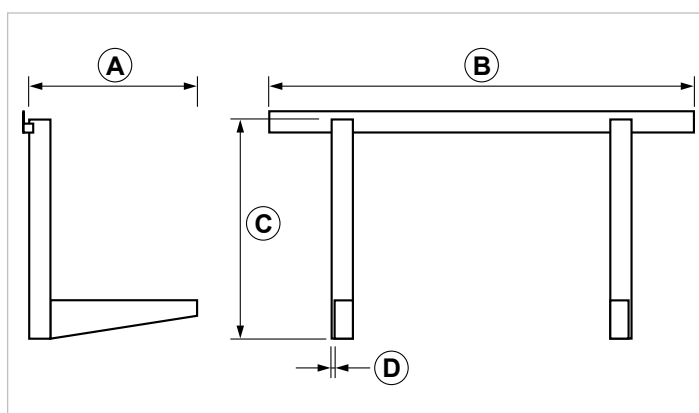
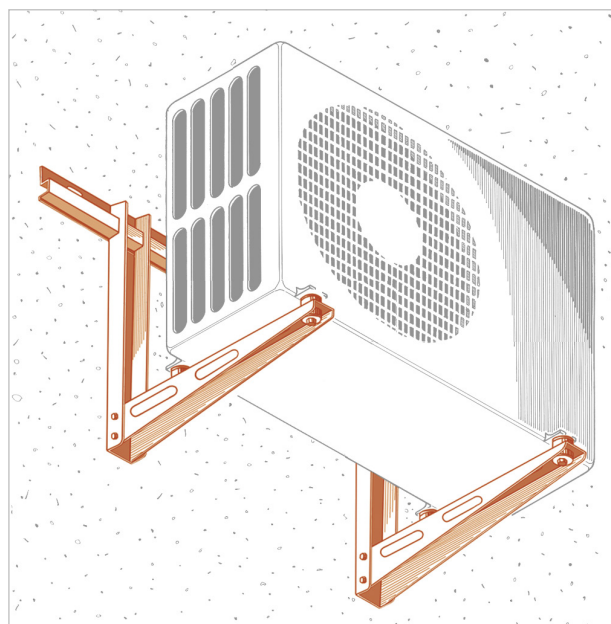
Adjustable support bracket for air-conditioning units

APPLICATION

It is used to fasten air-conditioning units to the wall.

FEATURES AND BENEFITS

- > It reduces vibrations thanks to its high quality **EPDM professional supports** and the rubber dampers that lean against the wall.
- > **The wide omega-shaped crossbeam** ensures a comfortable and reliable support.
- > It guarantees the support of high payloads thanks to its **strong metal sheet, folded and with rib.**
- > **The wide holes** ensure a handy installation.



| COD | TYPE | Finishing | A | B | C | D |
|--------|---------|---------------|-----|------|-----|-------|
| 161365 | SCL 560 | Painted steel | 560 | 1000 | 400 | 20/10 |

COMPONENTS FOR AIR-CONDITIONING

SUPPORT BRACKETS FOR AIR CONDITIONING UNITS

MATERIALS TECHNICAL DATA

SCL 420/465

Steel DX 51 D EN 10142 with sendzimir zinc-plating and varnish finishing with polyester powder, which makes the bracket suitable for outdoor use - RAL 9002

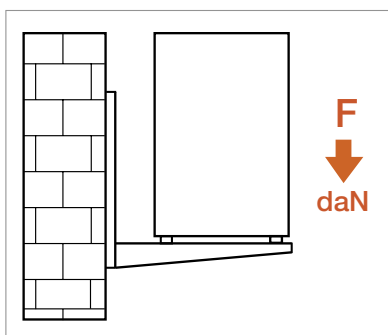
SCREWS

Stainless steel AISI 304 - EN 10088

PLUGS

PP Polypropylene

RECOMMENDED LOADS



| TYPE | F |
|---------|-------|
| SCL 560 | 80+80 |

Please notice that loads data refer to the installation of a pair of brackets. Recommended load is the average resistance loads with a safety coefficient. 1daN=1kg.

PACKAGING

In cardboard box - 1 piece

RELATED ITEMS

- > SCL 420/465
- > SAETTA R46
- > SAETTA 46
- > ANTI - Anti-vibration supports

DATE 08-2023 REV. 01

The current technical data sheet substitutes and cancels the previous ones. The details provided fit our current knowledge of the product. It cannot lead us to any sort of responsibility or compensation.

Gia S.p.A. reserves the right of changing technical features and molds without notice.

This company is subject to "Ethica Global Investments S.p.A." management.

Gia S.p.A. – Via Sac. A. Cremona, 12 – 28069 Trecate (NO) – www.gia.it