



SCL 420/465

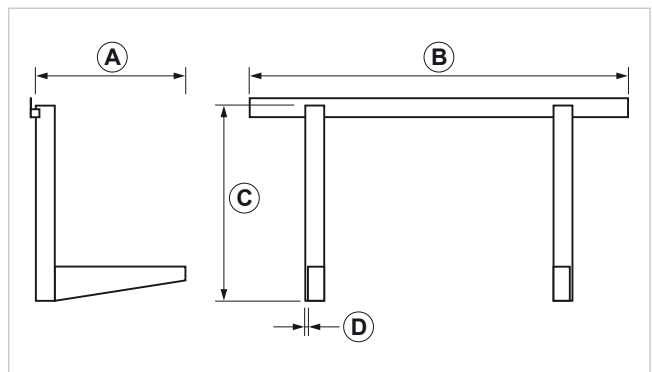
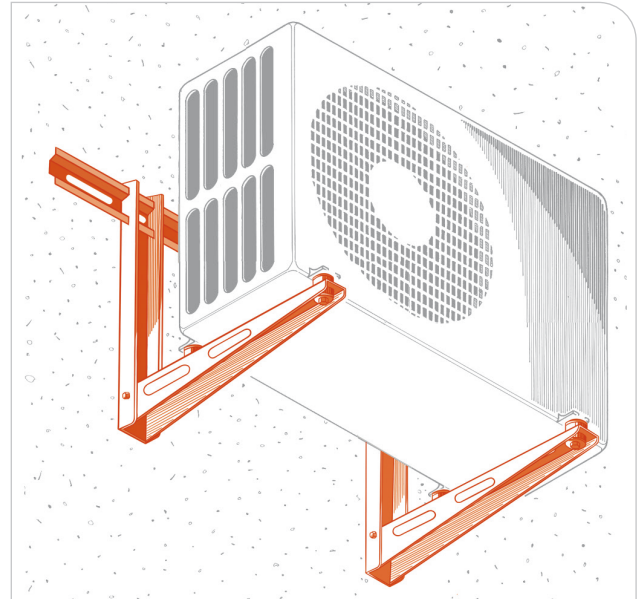
Adjustable support bracket for air conditioning units

APPLICATION

Air conditioners fixing on wall.

FEATURES AND BENEFITS

- > It reduces vibrations thanks to the high quality **EPDM professional supports** and the rubber dampers that lean against the wall.
- > **The wide omega-shaped crossbeam** ensures a comfortable and reliable support.
- > It guarantees the support of high payloads thanks to its **strong metal sheet, folded and with rib.**
- > **The wide holes** ensure a handy installation.



COD	TYPE	Description	A	B	C	D
161355	SCL 420	Zinc-coating and RAL painting	420	800	400	15/10
161360	SCL465	Zinc-coating and RAL painting	465	800	400	15/10



MATERIALS TECHNICAL DATA

MATERIAL

Steel DX 51 D EN 10142 with sendzimir zinc plating and RAL 9002 powder coating suitable for outdoor use

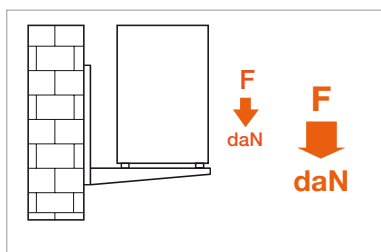
SCREWS

Stainless steel AISI 304 - EN 10088

GIOLLI PLUG

PP Polypropylene

RECOMMENDED LOADS



TYPE	F
SCL 420	120
SCL 465	160

Please notice that loads data refer to the installation of a couple of brackets. Recommended load is the average resistance loads with a safety coefficient. 1 daN=1kg.

PACKAGING

In cardboard box | 1 item

RELATED ITEMS

- > SCL 560
- > SAETTA R46 / INOX R46
- > SAETTA 46 / INOX 46
- > Anti-vibration support - ANTI

DATE 07-2020 REV. 00

The current technical data sheet substitutes and cancels the previous ones. Information correspond with our current knowledge of the product. It cannot lead us to any sort of responsibility or compensation.

Gia S.p.A. reserves the right of changing technical features and molds without notice.

Gia S.p.A. – Via Sac. A. Cremona, 12 – 28069 Trecate (NO) – www.gia.it

T 04.26.130A REV 0

