



Hammering screw and Giolli plug for pipe clamps fixing

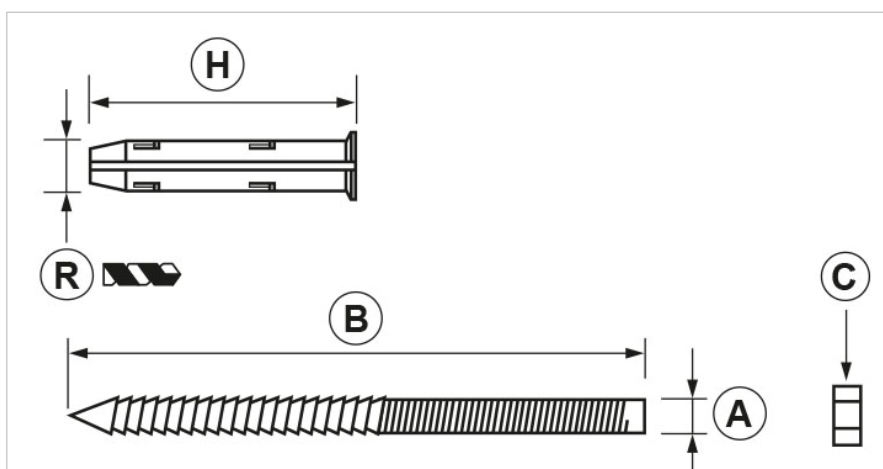
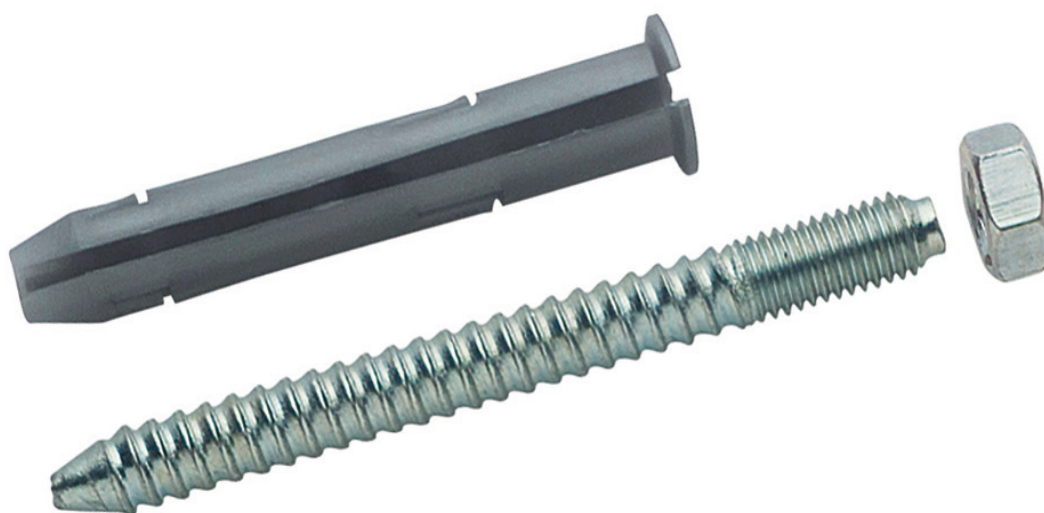
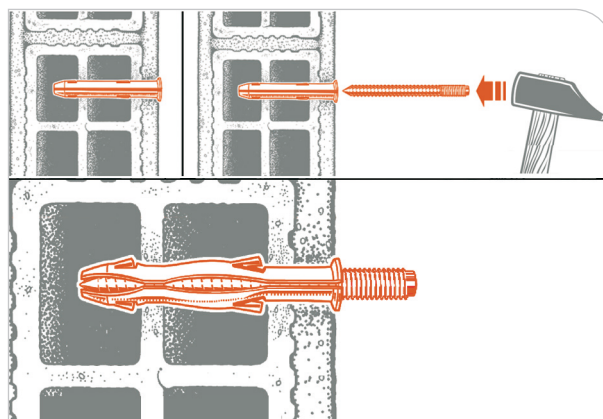
PATENT

APPLICATION

Pipe clamps wall fastening.

FEATURES AND BENEFITS

- > Thanks to its specific thread it is possible to **insert the plug by using a hammer**. This makes installation faster.
- > The connection screw with metric thread is provided with **adjusting locknut** and Giolli plug.



COD	TYPE	A	C	B	H	R
146401	10 TNF	M8	M8	90	70	10
146501	12 TNF	M10	M10	100	70	12


MATERIAL TECHNICAL DATA
PLUG

PP Polypropylene

SCREW

Steel 4.8 EN ISO 898-1 with electro zinc plating 7-8 µm

NUT

Steel 4.8 EN ISO 898-1 with electro zinc plating 7-8 µm

BASE MATERIAL

Solid brick | Cellular concrete (Gasbeton) | Hollow brick wall | Cement | Prestressed concrete

RECOMMENDED LOADS

TYPE	Hollow brick	Concrete	Cellular concrete
10 TNF	33	108	10
12 TNF	38	158	11

Recommended load is the average resistance loads with a safety coefficient. 1 daN=1kg.

The use of Ø 8 threaded screws is recommended.

INSTALLATION

In order to properly install the plug, make a hole perpendicularly to the base support using the right drill bit. Before applying the plug, make sure the hole is clean and free from drilling dust.

We recommend not to use an impact drill while making the hole on an hollow brick wall in order to prevent the internal bulkheads break. Eventually, insert the plug and install the item as required.

INSTALLATION TOOLS AND RECOMMANDATIONS

Drill with proper drill bit.

Do not use the impact drill to prevent breaking the internal bulkhead of the brick.

PACKAGING

In polyethylene bag

DATA 09-2020 REV. 00

The current technical data sheet substitutes and cancels the previous ones. Information correspond with our current knowledge of the product. It cannot lead us to any sort of responsibility or compensation.

Gia S.p.A. reserves the right of changing techical features and molds without notice.

Gia S.p.A. – Via Sac. A. Cremona, 12 – 28069 Trecate (NO) – www.gia.it

T 05.31.155 REV 0

