



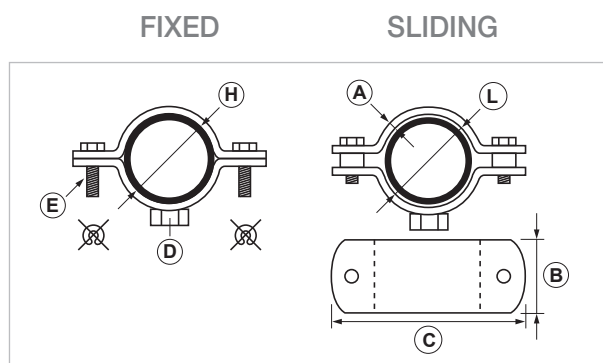
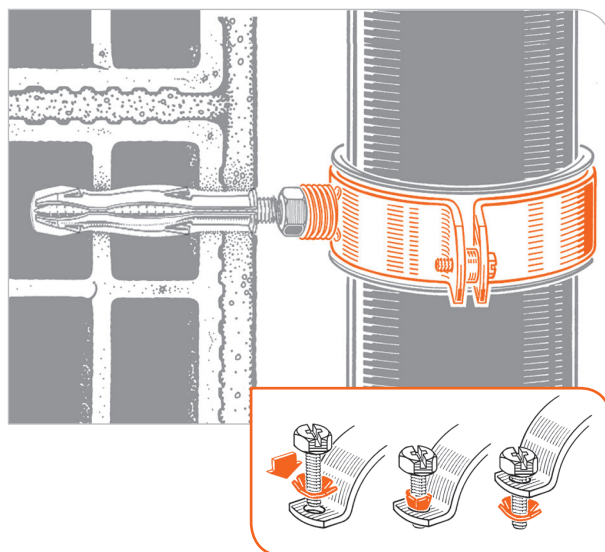
Light duty pipe clamp with M/F adaptor

APPLICATION

Suitable for PE pipe lines and all other kinds of pipe lines fastening.

FEATURES AND BENEFITS

- > **Versatile:** thanks to its electro-welded adaptor two kinds of connection are possible: 1/2" male and M10 female couplings.
- The **red washers** that are preassembled on the locking screws prevent them from getting lost during assembly.
- It is complete **with spacers** that used **to create sliding points.**
- Tightening the screws **without spacer** allows to create a **fixed point** that blocks the pipe line.
- Its dimensions and welding make this pipe clamp particularly **strong**, while its galvanization makes it **resistant to atmospheric agents.**



COD	TYPE	A	B	C	D	E	H	L
085000	STP 40	3	30	89	1/2" x M10	M6x20	40	44
085100	STP 50	3	30	99	1/2" x M10	M6x20	50	54
085200	STP 63	3	30	113	1/2" x M10	M6x20	63	67
085300	STP 75	3	30	126	1/2" x M10	M6x20	75	79
085400	STP 90	3	30	141	1/2" x M10	M6x20	90	94
085500	STP 110	3	30	163	1/2" x M10	M6x20	110	114
085600	STP 125	3	30	182	1/2" x M10	M6x20	125	129
085650	STP 140	3	30	194	1/2" x M10	M6x20	136	140
085700	STP 160	3	30	216	1/2" x M10	M6x20	160	164



PIPE CLAMPS AND PIPE LINES FIXINGS
HEAVY DUTY PIPE CLAMPS FOR PE PIPE LINES

MATERIAL TECHNICAL DATA

MATERIAL

Steel DD11 (material. N. 1.0332) DIN EN 10111

GALVANIZATION

Electro zinc plating 7-8 µm

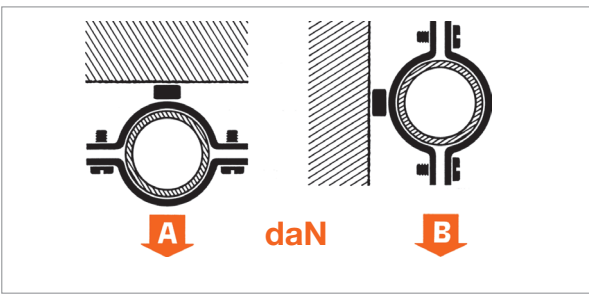
LOCKING SCREW

Steel 4.8 EN ISO 898.1 with electro zinc plating 7-8 µm
 M6x20 - Hex head combined shear screw
 M8x35 - Hex head flat shear screw

SPACERS (when used)

PE Polyethylene

RECOMMENDED LOADS



TYPE	A	B
STP - STP1 40	300	150
STP - STP1 50	300	150
STP - STP1 63	300	150
STP - STP1 75	300	150
STP - STP1 90	300	100
STP - STP1 110	300	100
STP - STP1 125	300	80
STP - STP1 140	300	60
STP - STP1 160	300	40
STP - STP1 200	400	100
STP1 220	400	90
STP - STP1 250	400	70
STP - STP1 315	400	70
STP - STP1 400	400	40

Tests were carried out in technical laboratory with a dynamometric machine. For wall fixing, stick to the strenght characteristics of the plug or the connecting support.
 Recommended load is the average resistance loads with a safety coefficient. Data in daN. 1 daN=1 kg.





INSTALLATION TOOLS AND RECOMMENDATIONS

In order to properly install the plug, make a hole perpendicularly to the base support using the right drill bit. Before installing the plug make sure the hole is clean and all the drilling dust has been removed. We recommend not to use an impact drill while making the hole on an hollow brick wall in order to prevent the internal bulkheads break. Eventually, fasten nut and pipe clamp.

PACKAGING

In plastic bag - from type STP 40 up to 160
In cardboard box - from type STP 200 up to 400

RELATED ITEMS

- > NP-NP1- PVC tapes
- > PP-PP1 - Pipe clamps fixing plate
- > COP - Universal metal covering
- > Reduction socket

**DATE 03-2019 REV. 00**

The current technical data sheet substitutes and cancels the previous ones. Information correspond with our current knowledge of the product. It cannot lead us to any sort of responsibility or compensation.

Gia S.p.A. reserves the right of changing technical features and molds without notice.

Gia S.p.A. – Via Sac. A. Cremona, 12 – 28069 Trecate (NO) – www.gia.it

T 03.16.75 REV 0

