



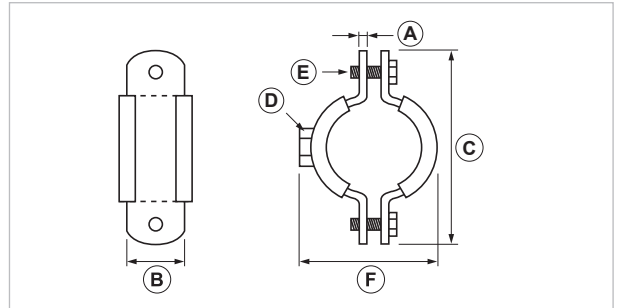
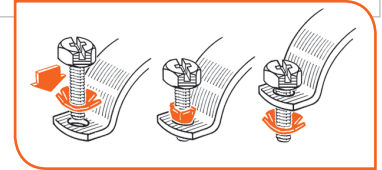
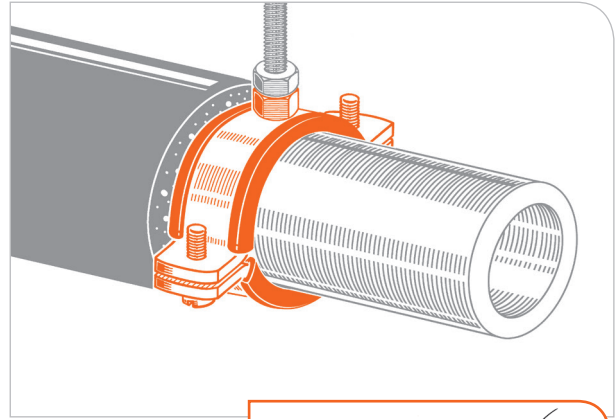
EPDM insulated heavy duty pipe clamp

APPLICATION

Insulated or sound-proof pipe lines fastening. It is used in the sanitary systems field to install pipe lines on wall, ceiling or floor.

FEATURES AND BENEFITS

- > Thanks to the quality of its materials and the electro-welded nut, it is a very **solid product**.
- > **Fast installation:** it is pre-assembled and provided with locking screws and **red washers**, which ensure an easy installation on the half-clamp, and prevent screws from getting lost during installation.
- > The EPDM sheath is shaped as to cover the whole pipe line circumference, in order to guarantee its **complete insulation**.
- > **Sound-proof:** the rubber washer ensures noise reduction.



COD	TYPE	For pipe lines Ø mm	A	B	C	D	E	F	Notes
082009	STO1 G 3/8"	12-18	2,5	20	58	M8	M6x20	37	
082109	STO1 G 1/2"	19-23	3	20	64	M8	M6x20	42,5	
082209	STO1 G 3/4"	25-30	3	20	72	M8	M6x20	47,5	
082309	STO1 G 1"	33-38	3	20	81	M8	M6x20	57	
082409	STO1 G 1 1/4"	39-44	3	20	88	M8	M6x20	63,5	
082509	STO1 G 1 1/2"	45-49	3	20	97	M8	M6x20	70	
082559	STO1 G 54	50-54	3	20	98	M8	M6x20	75	
082609	STO1 G 2"	60-64	3	30	126	M10	M6x20	95	
082709	STO1 G 2 1/2"	73-78	3	30	137	M10	M6x20	110	
082809	STO1 G 3"	85-90	3	30	150	M10	M6x20	119	
082859	STO1 G 3 1/2"	97-102	3	30	163	M10	M6x20	136	
082909	STO1 G 4"	110-116	3	30	181	M10	M6x20	144	
082939	STO1 G 5"	138-141	3	30	203	1/2"	M6x20	181	
082959	STO1 G 6"	165-169	3	30	237	1/2"	M6x20	204	
082969	STO1G 200	200-205	4	40	306	1/2"	M8x35	235	* / **
082979	STO1 G 8"	215-220	4	40	314	1/2"	M8x35	253	* / **
082999	STO1 G 10"	269-274	4	40	366	1/2"	M8x35	302	* / **

* Locking screws provided without red washer but with closing nut. / ** Pipe clamp joint is welded with continuous wire technique.



**MATERIAL TECHNICAL DATA****MATERIAL**

Steel DD11 (material. N. 1.0332) DIN EN 10111

GALVANIZATION

Electro zinc plating 7-8 μm

LOCKING SCREWS

Steel 4.8 EN ISO 898.1 with electro zinc plating 7-8 μm
Hex head combined shear screw

SHEATH WITH ACOUSTIC INSULATION

Alogen-free EPDM rubber

ACOUSTIC INSULATION

Reduction

TEMPERATURE

- 35°C / + 125°C

HARDNESS - SHORE A

55+ / -5

BREAKAGE LOAD

5 MPa min.

CONDUCTIVITY

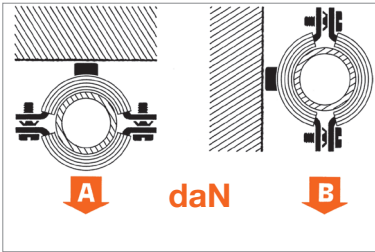
0,3 W/Km

FIRE RESISTANCE

"E" EN 13501 class



RECOMMENDED LOAD



TYPE	A	B
STO1 G - STO1 GS 3/8"	200	100
STO1 G - STO1 GS 1/2"	200	100
STO1 G - STO1 GS 3/4"	200	100
STO1 G - STO1 GS 1"	200	100
STO1 G - STO1 GS 1 1/4"	200	100
STO1 G - STO1 GS 1 1/2"	200	100
STO1 G - STO1 GS 5/4	200	100
STO1 G - STO1 GS 2"	250	70
STO1 G - STO1 GS 2 1/2"	250	70
STO1 G - STO1 GS 3"	250	70
STO1 G - STO1 GS 3 1/2"	250	70
STO1 G - STO1 GS 4"	250	70
STO1 G - STO1 GS 5"	250	70
STO1 G - STO1 GS 6"	250	70
STO1G 200	350	80
STO1 G 8"	350	80
STO1 G 10"	350	80

Tests were carried out in technical laboratory with a dynamometric machine. For wall fixing, stick to the strenght characteristics of the plug or the connecting support.

Recommended load is the average resistance loads with a safety coefficient.

Data in daN. 1 daN=1 kg.

PACKAGING

In cardboard box

RELATED ITEMS

- > TNF and TF - screw and plug
- > Type A - reduction piece
- > BF - threaded rod

**DATE 03-2019 REV. 00**

The current technical data sheet substitutes and cancels the previous ones. Information correspond with our current knowledge of the product. It cannot lead us to any sort of responsibility or compensation.

Gia S.p.A. reserves the right of changing technical features and molds without notice.

Gia S.p.A. – Via Sac. A. Cremona, 12 – 28069 Trecate (NO) – www.gia.it

T 03.15.69 REV 0

