

COMPONENTS FOR AIR-CONDITIONING

SUPPORT BRACKETS FOR AIR CONDITIONING UNITS

SAETTA

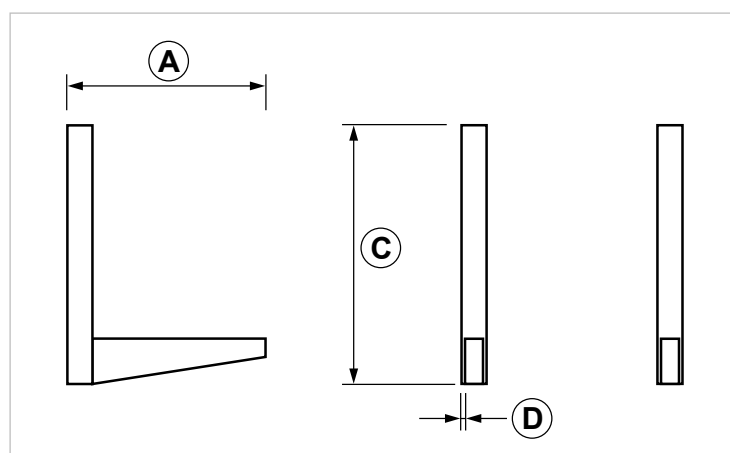
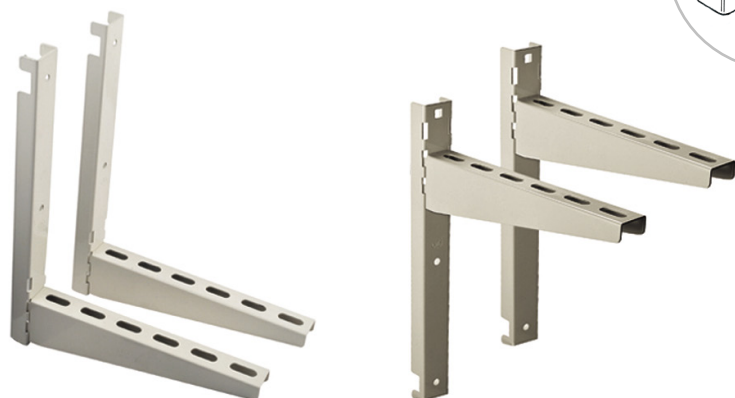
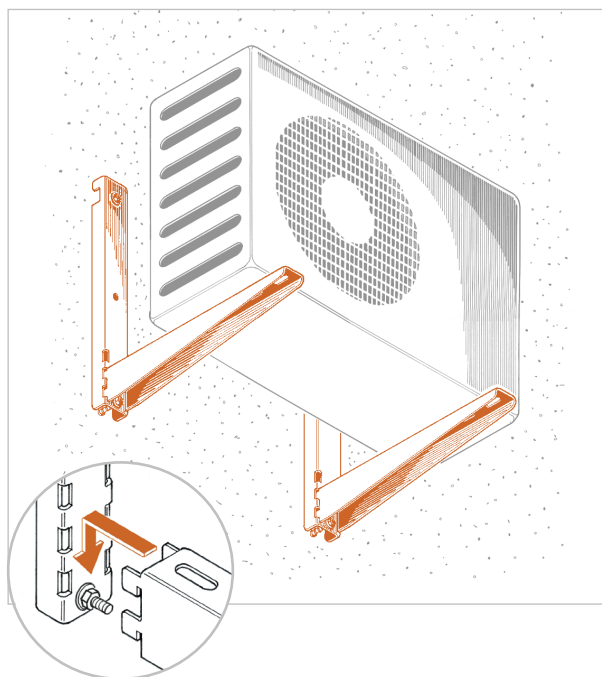
Support bracket for air-conditioning units

APPLICATION

It is used to fasten air-conditioning units to the wall.

FEATURES AND BENEFITS

- > It guarantees a **solid and reliable installation** to support air-conditioning units.
- > The interlocking system ensures a very **fast installation**.
- > Thanks to its **strong metal sheet**, it is able to support high payloads.
- > Supplied with **fixing screws and Giolli plugs**.
- > Available with different degrees of the finishing.



COD	TYPE	A	C	D
161287	SAETTA INOX 46	460	516	2,5
161291	SAETTA 46	460	516	2,5

COMPONENTS FOR AIR-CONDITIONING

SUPPORT BRACKETS FOR AIR CONDITIONING UNITS

MATERIALS TECHNICAL DATA

SAETTA

Steel DX 51 D EN 10142 with sendzimir zinc-plating and varnish finishing with polyester powder, which makes the bracket suitable for outdoor use - RAL 1013

SAETTA INOX

Stainless steel AISI 304 - EN 10088

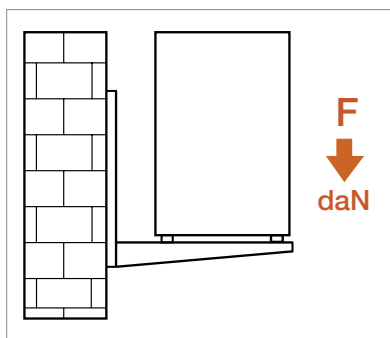
SCREWS

Stainless steel AISI 304 - EN 10088

GIOLLI PLUGS

PP Polypropylene

RECOMMENDED LOADS



TYPE	F
SAETTA 46	75+75
SAETTA INOX 46	75+75

Please notice that loads data refer to the installation of a pair of brackets. Recommended load is the average resistance loads with a safety coefficient. 1daN=1kg.

PACKAGING

In cardboard box - 1 piece

RELATED ITEMS

> ANTI - Anti-vibration support

DATE 08-2023 REV. 01

The current technical data sheet substitutes and cancels the previous ones. The details provided fit our current knowledge of the product. It cannot lead us to any sort of responsibility or compensation.

Gia S.p.A. reserves the right of changing technical features and molds without notice.

This company is subject to "Ethica Global Investments S.p.A." management.

Gia S.p.A. – Via Sac. A. Cremona, 12 – 28069 Trecate (NO) – www.gia.it