

# COMPONENTS FOR AIR-CONDITIONING

## SUPPORT BRACKETS FOR AIR CONDITIONING UNITS

### SAETTA R

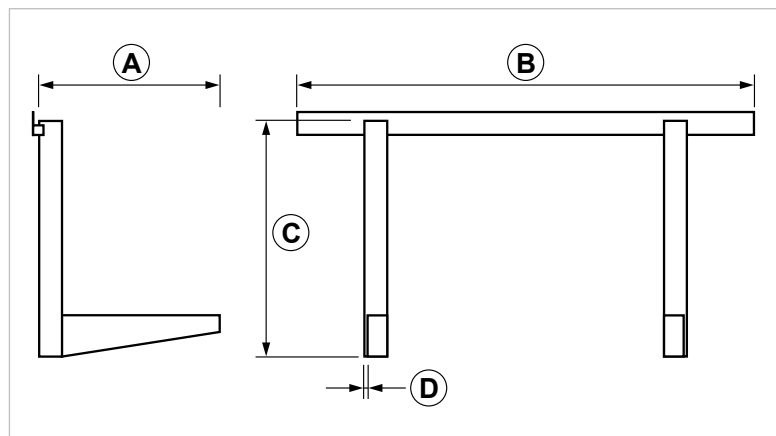
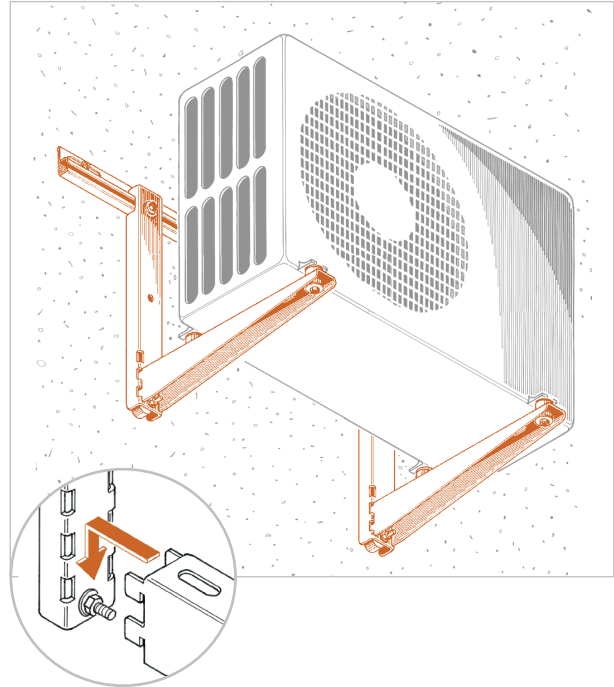
#### Adjustable support bracket for air-conditioning units

##### APPLICATION

It is used to fasten air-conditioning units to the wall.

##### FEATURES AND BENEFITS

- > It guarantees a **solid and reliable installation** to support outdoor air-conditioning units.
- > The interlocking system ensures a very **fast installation**.
- > **Strong and long-lasting bracket** thanks not only to its thickness, but also to its **painted and zinc plated metal sheet** and the stainless steel components with which it is provided.
- > The crossbeam makes it **suitable for any device** available on the market.
- > It is provided together with **wall adjustable dampers** - which **reduce vibrations** and are made of EPDM rubber - and fixing screws complete with plugs.
- > **High payload supported**.
- > Available with different degrees of the finishing.



COD	TYPE	A	B	C	D
161289	SAETTA INOX R46	460	1000	516	2,5
161296	SAETTA R46	460	1000	516	2,5

# COMPONENTS FOR AIR-CONDITIONING

## SUPPORT BRACKETS FOR AIR CONDITIONING UNITS

### MATERIALS TECHNICAL DATA

#### SAETTA R46

Steel DX 51 D EN 10142 with sendzimir zinc-plating and varnish finishing with polyester powder, which makes the bracket suitable for outdoor use - RAL 1013

#### SAETTA INOX R46

Stainless steel AISI 304 - EN 10088

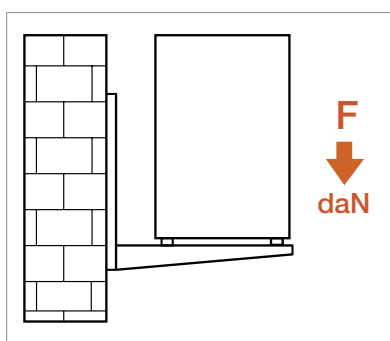
#### SCREWS

Stainless steel AISI 304 - EN 10088

#### PLUGS

PP Polypropylene

### RECOMMENDED LOADS



TYPE	F
SAETTA R46	75+75
SAETTA INOX R46	75+75

Please notice that loads data refer to the installation of a pair of brackets. Recommended load is the average resistance loads with a safety coefficient. 1daN=1kg.

### PACKAGING

In cardboard box - 1 piece

### RELATED ITEMS

- > SAETTA 46
- > ANTI - Anti-vibration supports

### DATE 08-2023 REV. 01

The current technical data sheet substitutes and cancels the previous ones. The details provided fit our current knowledge of the product. It cannot lead us to any sort of responsibility or compensation.

Gia S.p.A. reserves the right of changing technical features and molds without notice.

This company is subject to "Ethica Global Investments S.p.A." management.

Gia S.p.A. – Via Sac. A. Cremona, 12 – 28069 Trecate (NO) – [www.gia.it](http://www.gia.it)