



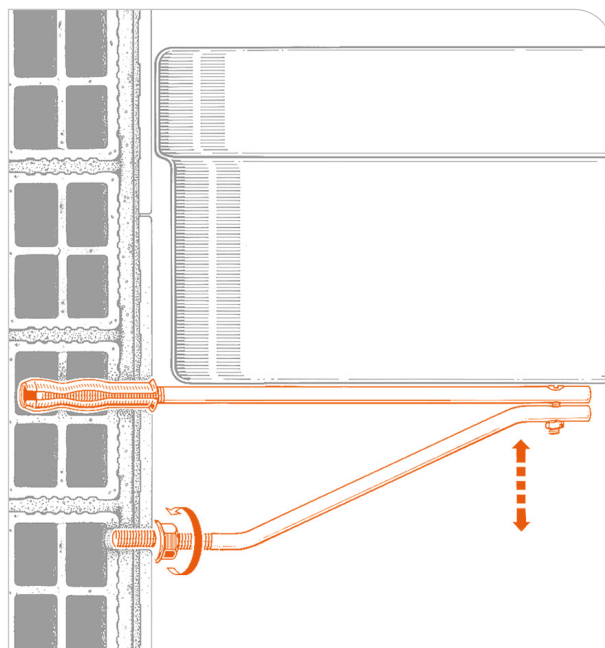
Adjustable support for wall hung sinks

APPLICATION

Sink fastening on masonry.

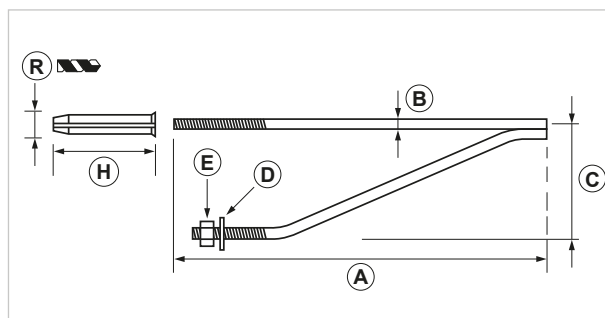
FEATURES AND BENEFITS

- > **Fast and easy** to be installed, it also allows to fasten sinks vertically to the wall.
- > By adjusting the lower nut, it is possible to **adjust the sink level during installation**.
- > The load-bearing bracket - together with the support sprag - ensures a **very solid fastening**.



Composed of:

- load-bearing bracket 460x340
- support sprag
- Giolli plug
- washers 13x27x3
- M12 locking nuts
- screws



COD	TYPE	A	B	C	D	E	H	R	Notes
021000	LC	460	11	155	13x27x3	M12	82	15	
021001	LC BOX	460	11	155	13x27x3	M12	82	15	*
022000	LA	340	11	90	13x27x3	M12	82	15	
022001	LA BOX	340	11	90	13x27x3	M12	82	15	*

* Packed in cardboard boxes.



MATERIALS TECHNICAL DATA

PLUG

PP Polypropylene

SCREW AND NUTS

Steel 4.8 EN ISO 898.1 with electro zinc-plating 7-8 µm

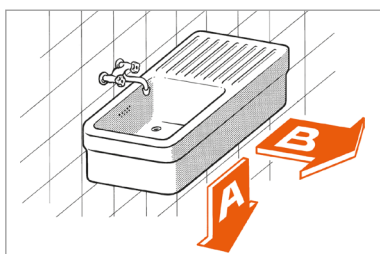
STRUCTURE (BRACKET AND SPRAG)

White painted steel S235JR EN 10027

BASE MATERIAL

Cement | Masonry | Plastered hollow brick | Prestressed support

RECOMMENDED LOADS



	A	B
LA	80	130
LC	70	130

A = Payload value calculated in daN, with a cantilever load of mm 600.

B = Axial payload value calculated in daN.
Hollow brick wall and tiles cover.

1daN=1kg

INSTALLATION

In order to properly install the plug, make a hole perpendicularly to the base support with the right drill bit. The hole must be cleaned up from drilling dust before applying the plug. Do not use impact use impact drill on an hollow brick wall, in order to prevent internal bulkheads breakage. Insert the plug and screw the support straight for all its threaded part. Make a hole underneath the first centre to centre distance. Insert the folded support. Join and lock the tips with screws and nuts. Adjust the bracket's height in order to set the sink properly.

INSTALLATION TOOLS AND RECOMMENDATIONS

Drill, drill bit Ø 15

PACKAGING

In polyethylene bags | 2 items per bag

In cardboard boxes | 2 items per box

DATE 03-2020 REV. 00

The current technical data sheet substitutes and cancels the previous ones. Information correspond with our current knowledge of the product. It cannot lead us to any sort of responsibility or compensation.

Gia S.p.A. reserves the right of changing technical features and molds without notice.

Gia S.p.A. – Via Sac. A. Cremona, 12 – 28069 Trecate (NO) – www.gia.it

T 02.08.22 REV 0

