

GIPROFIL

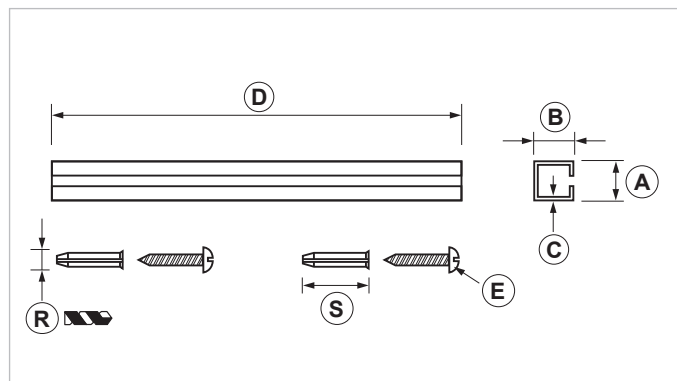
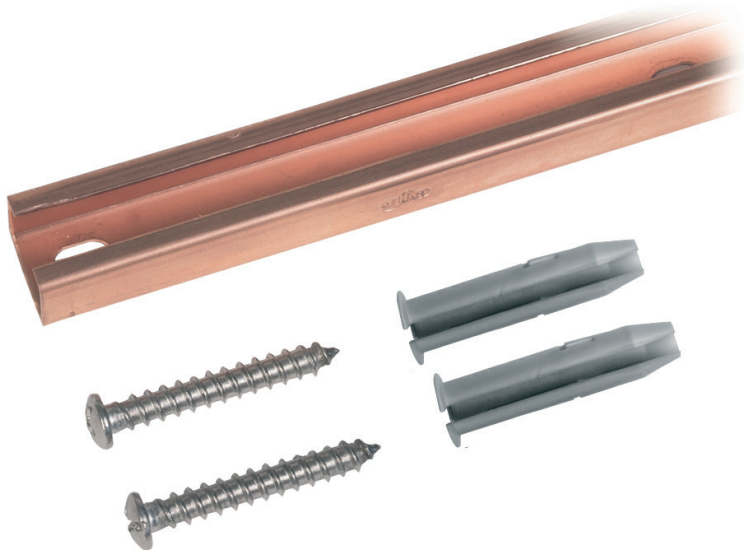
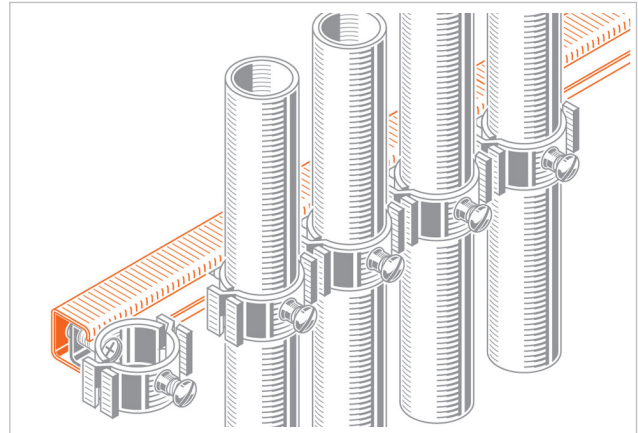
Copper channel with fixing kit

APPLICATION

It is used to fasten arrays of copper pipe clamps.

FEATURES AND BENEFITS

- > Suitable to **fasten arrays** of copper pipe clamps - such as GICOLLAR and CR - **in a handy way**.
- > It is made up of a **copper eyeleted channel**, which is completed with a fixing kit including **stainless steel screws and Giolli plugs**.
- > It **prevents electrolysis events**, which may damage the copper pipe line.



COD	TYPE	A	B	C	D	E	R	S
099000	GIPROFIL	18	16	1	250	6x40	8	40

COPPER PIPE CLAMPS

PIPE CLAMPS AND PIPE LINES FIXINGS

MATERIALS TECHNICAL DATA

CHANNEL

Copper EN 1652

SCREWS

Stainless steel AISI 304 - EN 10088 - Socket head combined shear screw

PLUG

PP Polypropylene

PACKAGING

In polyethylene bag

DATA 09-2022 REV. 01

The current technical data sheet substitutes and cancels the previous ones. The details provided fit our current knowledge of the product. It cannot lead us to any sort of responsibility or compensation.

Gia S.p.A. reserves the right of changing technical features and molds without notice.

This company is subject to "Ethica Global Investments S.p.A." management.

Gia S.p.A. – Via Sac. A. Cremona, 12 – 28069 Trecate (NO) – www.gia.it