



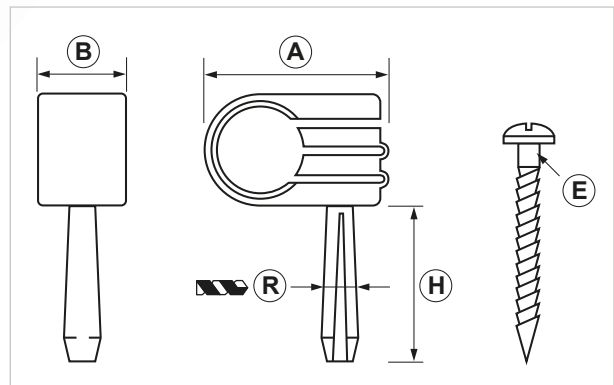
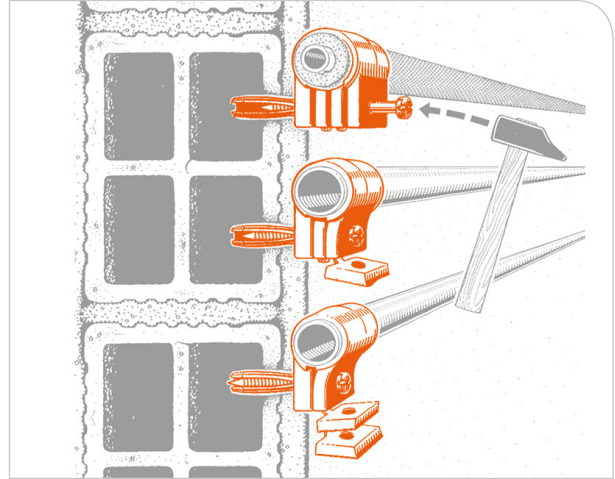
Adjustable pipe clamp

APPLICATION

Light duty pipe lines fastening.

FEATURES AND BENEFITS

- > **Fast installation:** the plug is integrated with the pipe clamp in a single shape in order to be easily inserted in
 - > the wall - together with the screw - by using a hammer. It is particularly suitable for copper pipe lines fixing, and
 - > it can also be used for any other kind of pipe line.
- This peculiar product - provided with easily removable thicknesses - is designed to fix **pipe lines with different diameters by using a single item.**



COD	TYPE	For pipe lines Ø mm	A	B	E	H	R
093003	CTR 10/14	10-14	28	12	TCC 3,3X35	25	5
093004	CTR 15/20	15-20	37	14	TCC 4X45	30	6
093005	CTR 21/28	21-28	47	16	TCC 6X58	40	8

**MATERIAL TECHNICAL DATA****BASE MATERIAL**

Masonry and hollow brick

MATERIAL

Grey Nylon PA6

SCREW

Steel 4.8 EN ISO 898.1 with electro zinc-plating 7-8 μm - Rounded head combined shear screw

INSTALLATION TOOLS AND RECOMMENDATIONS

In order to install the plug in the right way, make a hole perpendicularly to the base support using the right drill bit. Before installing the plug make sure the hole is clean and all the drilling dust has been removed. We recommend not to use an impact drill while making the hole on an hollow brick wall in order to prevent the internal bulkheads break.

Eventually, insert the screw into the pipe clamp and fix the whole.

PACKAGING

In plastic bag

DATE 03-2019 REV. 00

The current technical data sheet substitutes and cancels the previous ones. Information correspond with our current knowledge of the product. It cannot lead us to any sort of responsibility or compensation.

Gia S.p.A. reserves the right of changing technical features and molds without notice.

Gia S.p.A. – Via Sac. A. Cremona, 12 – 28069 Trecate (NO) – www.gia.it

T 03.19.89 REV 0

