



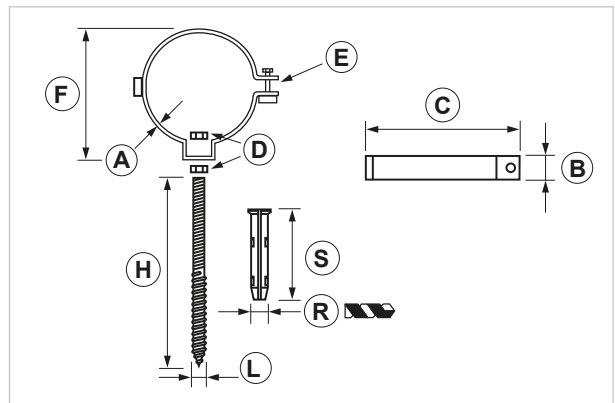
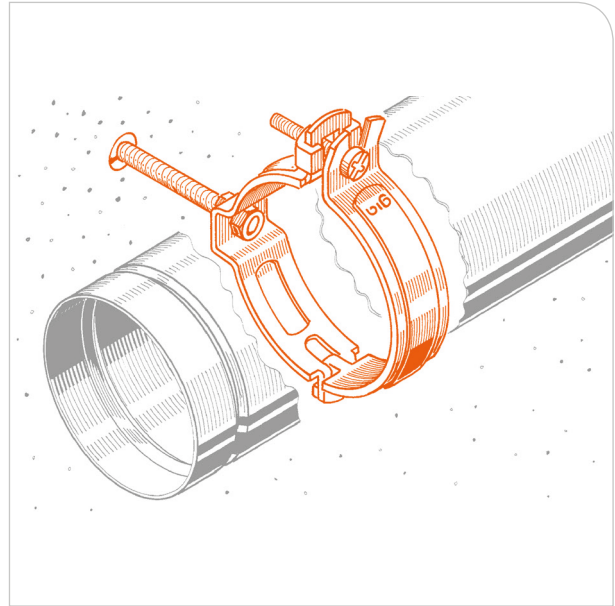
“BIANCO” hinged pipe clamp for flue pipe lines

APPLICATION

Flue pipe lines fixing.

FEATURES AND BENEFITS

- > Its hinged design allows the pipe line to be **easily clipped and blocked** by tightening a single screw.
- > The pipe clamp is **white painted** to aesthetically match standard fuel pipe lines.
- > The **200mm long fixing screw** can be installed at different distances from the wall.



COD	TYPE	For pipe lines Ø mm	A	B	C	D	E	F	H	L	R	S
073000	CTF 60 BIANCO	60	1,50	25	85,5	M8	M5x25	72	200	8	10	70
073010	CTF 70 BIANCO	70	1,50	25	95,5	M8	M5x25	82	200	8	10	70
073020	CTF 80 BIANCO	80	1,50	25	105,5	M8	M5x25	92	200	8	10	70
073030	CTF 100 BIANCO	100	1,50	25	125,5	M8	M5x25	112	200	8	10	70
073040	CTF 110 BIANCO	110	1,50	25	135,5	M8	M5x25	122	200	8	10	70
073050	CTF 120 BIANCO	120	1,50	25	145,5	M8	M5x25	131,5	200	8	10	70
073060	CTF 130 BIANCO	130	1,50	25	155,5	M8	M5x25	142	200	8	10	70
073070	CTF 140 BIANCO	140	1,50	25	165,5	M8	M5x25	152	200	8	10	70
073080	CTF 150 BIANCO	150	1,50	25	175,5	M8	M5x25	161	200	8	10	70


MATERIAL TECHNICAL DATA
MATERIAL

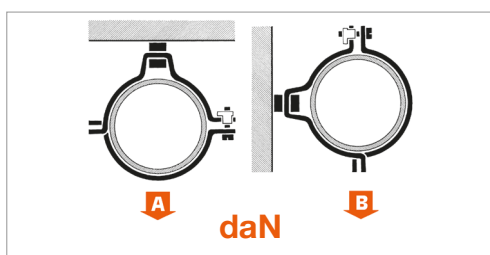
Steel DD11 (material n. 1.0332) DIN EN 10111 - white painted

COUPLING SCREW

Steel 4.8 EN ISO 898.1 with zinc-plating 7-8 µm

GIOLLI PLUG

PP Polypropylene

RECOMMENDED LOADS


TYPE	A	B
CTF	90	30

Recommended load is the average resistance loads with a safety coefficient. 1daN=1kg.

INSTALLATION TOOLS AND RECOMMENDATIONS

In order to install the plug in the right way, make a hole perpendicularly to the base support using the right drill bit. Before installing the plug make sure the hole is clean and all the drilling dust has been removed. We recommend not to use an impact drill while making the hole on an hollow brick wall in order to prevent the internal bulkheads break.

Insert the plug and then the screw. Eventually, fasten nut and pipe clamp.

PACKAGING

In plastic bag

DATE 03-2019 REV. 00

The current technical data sheet substitutes and cancels the previous ones. Information correspond with our current knowledge of the product. It cannot lead us to any sort of responsibility or compensation.

Gia S.p.A. reserves the right of changing technical features and molds without notice.

Gia S.p.A. – Via Sac. A. Cremona, 12 – 28069 Trecate (NO) – www.gia.it