



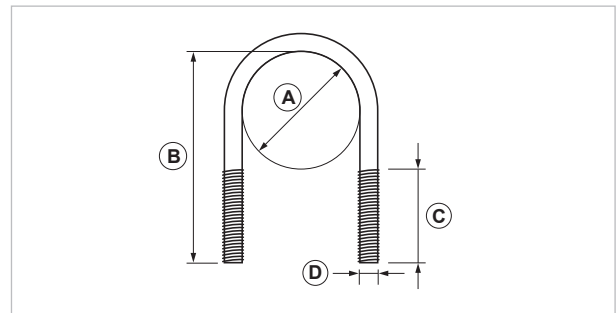
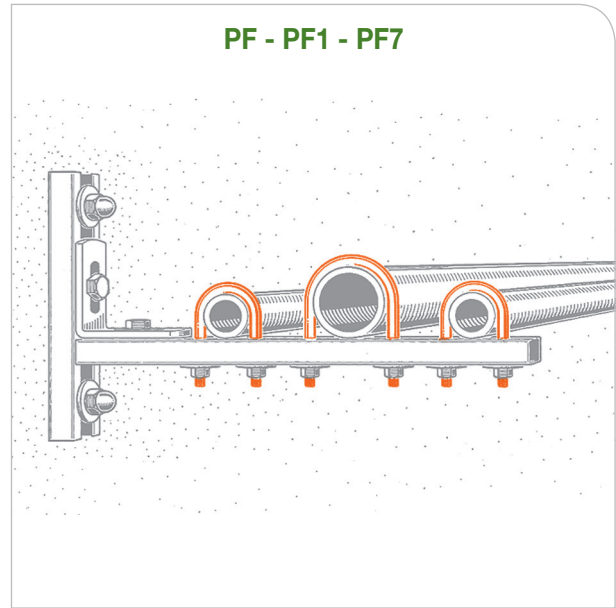
U-shaped bolt

APPLICATION

Used for pipe lines fastening in horizontal or hanging position, or to fasten pipe lines on grip channels or brackets.

FEATURES AND BENEFITS

- > **Simple and strong** fixing.
- > The galvanized steel rod has threaded ends.



COD	TYPE	For pipe lines Ø mm	B	C	D
167000	CAV 3/8"	17 - 18	50	35	M6
167200	CAV 1/2"	21 - 22	53	35	M6
167400	CAV 3/4"	26 - 28	59	35	M6
167600	CAV 1"	33 - 34	65	35	M6
167800	CAV 1 1/4"	42 - 43	74	35	M6
168000	CAV 1 1/2"	47 - 50	85	40	M8
168200	CAV 2"	60 - 63	97	50	M8
168400	CAV 2 1/2"	75 - 78	113	40	M8
168600	CAV 3"	88 - 90	126	40	M8
168800	CAV 3 1/2"	100 - 102	139	40	M8
169000	CAV 4"	110 - 115	152	40	M8
169100	CAV 5"	135 - 140	179	40	M8
169200	CAV 6"	163 - 168	204	40	M8
169300	CAV 8"	215 - 220	255	40	M10

**MATERIAL TECHNICAL DATA****MATERIAL**

Carbon steel S235JR EN 10027 or Fe360 (UNI 7070)

GALVANIZED

Electro zinc plating 7-8 μm

INSTALLATION TOOLS AND RECOMMENDATION

- > It mustn't undergo twisting stress.
- > When used as a guide on grip channels, the pipe line must be let free to move.

PACKAGING

In paper box

RELATED ITEMS

- > PF, PF1grip channels
- > PA30 and SAT1 brackets

DATE 03-2019 REV. 00

The current technical data sheet substitutes and cancels the previous ones. Information correspond with our current knowledge of the product. It cannot lead us to any sort of responsibility or compensation.

Gia S.p.A. reserves the right of changing technical features and molds without notice.

Gia S.p.A. – Via Sac. A. Cremona, 12 – 28069 Trecate (NO) – www.gia.it

T 03.14.66 REV 0

